

# CQ Chatter

Volume B4•Issue #4

Wood County Amateur Radio Club

SEPTEMBER 2001

P. O. Box 534, Bowling Green, OH 43402

<http://wcarc.bgsu.edu>

President-WB8NQW, Bob Willman

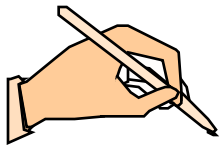
Vice President- N8DWR, Jim Davis

Secretary-AA8XS, John Lager

Treasurer-N1RB, Bob Boughton

## A Note from the Editor

The traditional end of the hamfest season around these parts is fast approaching with the Findlay Hamfest on September 9th (the day before the next WCARC meeting). This event is also usually the signal that the severe weather season is nearly over. Fortunately this year we had very little to get excited about with hardly any tornado warnings or even severe weather warnings. Some think that a calm summer portends a cold and blizzardy winter---I certainly hope not!



For those members who have not participated before, the annual fox hunt is always a lot of fun. When you finally are able to track down the fox you get to participate in a nice picnic supper and to compare notes with the other hunters. Yours truly has included plans for a simple direction-finding antenna that you can hook up to your HT to try to locate the fox. Ideally, it should be used in conjunction with an attenuator circuit for when you get close to the fox and his signal is too strong. Give it a try and come on out to find the fox.

73 de Bob

## Proposal for New hf Band

The FCC has begun accepting comments on the ARRL's petition seeking the allocation of 5.250 to 5.400 MHz to the Amateur Service on a domestic (US-only), secondary basis. The Commission put the proposal on public notice this week and assigned a rule making number, RM-10209, to the proceeding. Interested parties may comment on the proposal via the Internet or e-mail using the FCC's Electronic Comment Filing System (EFCS), information on which can be found at: <http://www.fcc.gov/e-file/ecfs.html>

**WCARC Weekly Net:  
Tuesdays at 2130  
147.18 & 444.475 MHz**

**Club Meeting:  
Monday, September 10th  
Location: ??????  
Foxhunt starts 5:30 pm  
Listen on 147.18 for info**

## Join in the Fun!!

In keeping with a long-standing tradition, the September meeting will begin with a fox hunt. For those of you who are not familiar with the term, a fox hunt can be described as a "hidden transmitter hunt". The "fox" will locate his transmitter somewhere in Wood County at a site suitable for picnicking. After the "hounds" have located the fox, we will all join together for a picnic dinner with food and beverages provided by the Club.

In the past, the fox has been found in Bowling Green, Haskins, Perrysburg, Pemberville, Luckey and several other locations. If you don't have any fancy direction finding equipment, it is possible to make the rubber duckie antenna on your handheld somewhat directional by placing the unit in front of your body. The body acts like a big reflector, so that your rig is more sensitive to signals coming from directly in front of you. Of course, the object of the exercise is to promote experimentation, and many members have arrived with sophisticated directional antennas and equipment. A couple that come to mind are the pick-up-truck-yagi-with-human-rotator in the bed, and the motor-scooter-cubical-quad-single-operator system. Listen on 147.18 at 5:30 pm on September 10th if you want to join in the fun!!

## September Contests

The full contest line-up for the month of September includes the following:

<b>Aug 25-26</b>	1600 to 2200 Z	160 m on up all modes
<b>Hawaii QSO Party</b>		
<b>Sep 1-2</b>	0000 to 2359 Z	160 to 10 m SSB
<b>All Asia SSB 'test</b>		
<b>Sep 1-2</b>	1200 to 1200 Z	80 to 10 m CW
<b>LZ (Bulgaria) DX 'test</b>		
<b>Sep 1-2</b>	2300 to 0300 Z	160 to 6 m CW
<b>Michigan QRP Sprint</b>		
<b>Sep 1-2</b>	0000 to 0400 Z	80 to 20 m CW
<b>NA Sprint</b>		
<b>Sep 8-9</b>	0000 to 2359 Z	80 to 10 m SSB
<b>European DX SSB</b>		
<b>Sep 8-10</b>	1800 to 0300 Z	6m up all modes
<b>ARRL VHF 'test</b>		
<b>Sep 9</b>	0000 to 0400 Z	80 to 20m SSB
<b>NA Sprint</b>		
<b>Sep 15-16</b>	1500 to 1800 Z	80 to 10m CW
<b>Scandinavia CW 'test</b>		
<b>Sep 16</b>	000 to 2359 Z	160 to 10 m all modes
<b>Atlantic (Canada) QSO Party</b>		

## September Hamfests

<b>Sep 9</b>	<b>Findlay ARC</b>	8am to 3pm
Hancock County Fairgrounds, Findlay, OH. Contact Bill, N8ET, (419) 423-4604.		
<b>Sep 16</b>	<b>Adrian ARC</b>	8 am to ?
Lenawee County Fairgrounds, Adrian, MI. Contact Ted, K8AQM, (517) 263-0615.		
<b>Sep 16</b>	<b>Gr. Cincinnati ARA</b>	8am to 4pm
Scarlet Oaks Career Development Campus, 3254 Kemper Rd., Mason, OH. Contact Jim, K8JE, (513) 459-0142.		

## WCARC

### Net Control Roster

Net meets every Tuesday at 2130

<b>Aug 28</b>	<b>AA8XS</b>
<b>Sep 4</b>	<b>KG8FH</b>
<b>Sep 11</b>	<b>WD8ICP</b>
<b>Sep 18</b>	<b>N1RB</b>
<b>Sep 25</b>	<b>N8QMV</b>
<b>Oct 2</b>	<b>AA8XS</b>

<b>Sep 22-23</b>	1500 to 1800 Z	80 to 10m SSB
<b>Scandinavia SB 'test</b>		
<b>Sep 29-30</b>	1400 to 2000 Z	80 to 2 m all modes
<b>Texas QSO Party (0220-1400 off)</b>		
<b>Sep 30</b>	0000 to 2400 Z	80 to 2 m all modes
<b>Louisiana QSO Party</b>		
<b>Oct 7</b>	0700 to 1900 Z	15 - 10 m SSB
<b>RSGB (UK) SB 'test</b>		
<b>Oct 6-7</b>	1000 to 1000 Z	80 to 10 m SSB
<b>Oceania DX 'test</b>		
<b>Oct 6-7</b>	1600 to 2200 Z	80 to 10 m all modes
<b>California QSO Party</b>		
<b>Oct 6-7</b>	2000 to 2000 Z	160 to 10 m SSB
<b>Ibero-America (Spain) 'test</b>		

### looking ahead-

<b>Nov 3-5</b>	<b>ARRL Sweepstakes</b>	<b>CW</b>
<b>Nov 17-19</b>	<b>ARRL Sweepstakes</b>	<b>SB</b>

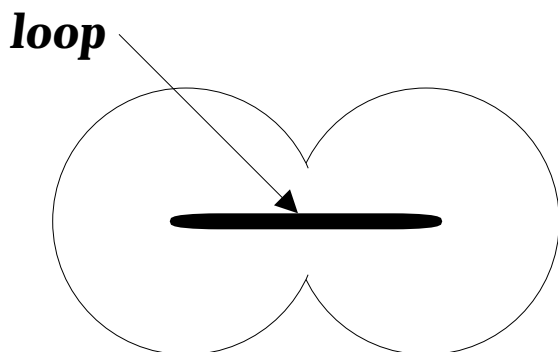
**Sep 23 Hamfest Assn. of Cleve.** 8am to 2pm  
Cuyahoga County Fairgrounds. Contact Ed, AA8TV, (800) CLE-FEST.

**Oct 7 Medina 2m Group** 8am to 2pm  
Ohio National Guard Armory, 920 W. Lafayette Rd., Medina, OH. Contact Mike, N8TZY, (330) 273-1519.

## A Simple Direction Finder Loop Antenna for Your HT

Are you new to fox hunting (technically called direction finding or DF)? Do you want to join in the fun of finding the fox on Sept. 10th? Well, here is a simple antenna that you can build and connect to your 2 meter HT. The materials list is quite simple: 3 feet of #12 copper wire, a 10 pF trimmer cap, a small piece of plastic or epoxy PC board, an alligator clip, a wooden dowel rod, and about 6 feet of 50 Ω coax.

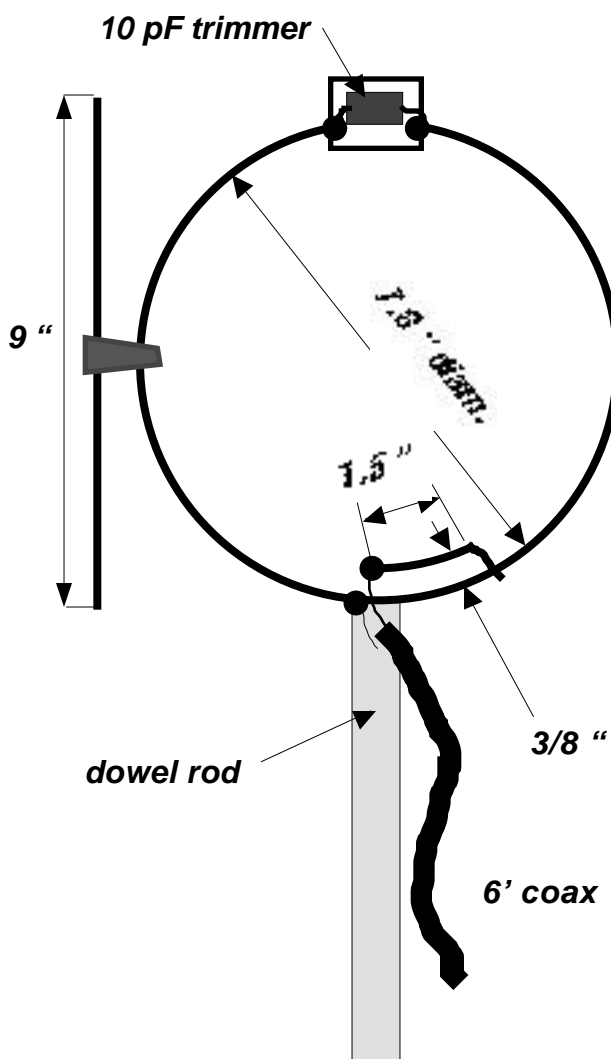
These materials will be used to make a loop antenna with a sense wire. Normally, from the top view, the field pattern of a simple loop antenna looks like :



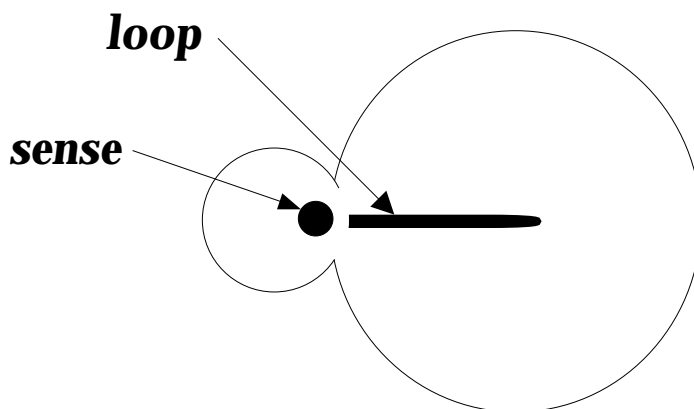
In other words, the maximum signal strength is detected when the transmitter is located off to the side of the loop. As you can see, the loop doesn't distinguish whether the source is to the right or to the left. This ambiguity in direction is not good enough for serious fox hunting!

There is a very simple way to modify the above field pattern with a single straight piece of wire called the sense element. The dimensions and construction details are shown in the next figure. The antenna is matched to the coax feed line using a simple gamma match, as indicated. To prevent interaction, the dowel rod should be about 4 feet long and about 6 feet of coax should be used to connect to the HT (make sure that you don't transmit with this antenna connected!). The coax center conductor is connected to the gamma match and the shield conductor is connected directly to the loop as indicated.

The field pattern of the sense-modified loop is also shown in the next column. Use the local repeater to tune the capacitor for maximum signal.



Use the maximum lobe to locate the fox when the signal is weak. Then when the signal is strong, use the nulls that are perpendicular to the plane of the loop to home in on him! This project shouldn't take more than 2 or 3 hours. Good luck and good hunting! ■



# **Minutes--W.C.A.R.C. August MEETING August 13, 2001**

WB8NQW called the meeting to order at 19:35 EDT.

Guests are KB8IUP and KB8FXJ

No corrections were noted in the published minutes. The minutes were approved as printed.

N1RB read the Treasurer's report. AA8XS motioned to accept the report and WD8JWJ seconded. The report was approved as read.

**Ham-a-Rama** - Because of damage to 12 ceiling tiles caused by our cord routing, our \$250 hall deposit will be returned minus the cost to replace the tiles.

**Old Business/ RACES** – We have our new tower, but we need a work crew to erect it.

**New Business** – Brenda Krukowski, KB8IUP presented the Club with a plaque commemorating 25 years as an ARRL-affiliated Public Service Club.

After discussion, it was decided to stage a fox hunt for our September meeting. WB8NQW volunteered to be the fox.

WA8CWD will check into the possibility of getting together with someone who is active in satellite operation for a demonstration as a program for our October meeting.

**Program** – WB8NQW put together a program describing the "Members Only" section of the ARRL Web site.

N1RB motioned to adjourn, WD8JWJ seconded  
Meeting was adjourned at 20:10

**JOHN LAGGER, AA8XS**  
**SECRETARY, WOOD CO. AMATEUR RADIO CLUB**

---

## **FOR SALE**

- ◇ **80 ft Rohn 25G tower**
- ◇ **Cushcraft ATB-34 4 element tribander**

**Age: 15 years old**

**Price: reasonable**

**contact Imre Soos, KA8CZP at: ihsoos@yahoo.com**

---

## **FOR SALE**

- ◇ **KENWOOD TS-440S transceiver**
- ◇ **ASTRON RS-35M power supply**
- ◇ **CUSHCRAFT A3 tribander beam**

**hand microphone and instruction manuals---asking \$700**  
**Call (419) 874-8889 or e-mail: k8nea@juno.com**

**WOOD COUNTY ARC  
P.O. BOX 534  
BOWLING GREEN, OH  
43402**

